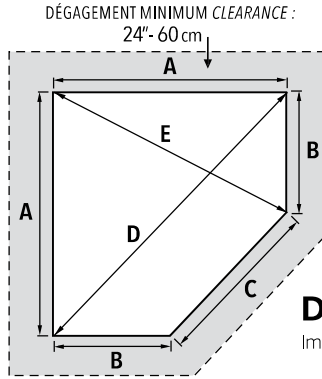


# DIAMANT



## DIMENSIONS

Impérial (pied/foot) / Métrique (mètre/metre)



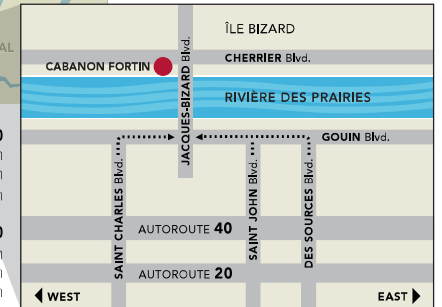
Surface	A	B	C	D	E	Hauteur Height	Pi ca Sq Fo	M ca Sq M							
7' x 7'	2.13 x 2.13	84"	2.13	42"	1.07	59 3/8"	1.51	118 3/4"	3.02	93 7/8"	2.38	9'	2.74	43	3.99
8' x 8'	2.44 x 2.44	96"	2.44	48"	1.22	67 7/8"	1.72	135 3/4"	3.45	107 3/8"	2.73	9' 3"	2.82	56	5.20
9' x 9'	2.74 x 2.74	108"	2.74	54"	1.37	76 3/8"	1.94	152 7/8"	3.88	120 3/4"	3.07	9' 5"	2.87	71	6.60
10' x 10'	3.05 x 3.05	120"	3.05	60"	1.52	84 7/8"	2.15	169 3/4"	4.31	134 1/8"	3.41	9' 8"	2.95	87.5	8.13
11' x 11'	3.35 x 3.35	132"	3.35	66"	1.68	93 3/8"	2.37	186 5/8"	4.74	147 5/8"	3.75	9' 11"	3.02	105	9.75
12' x 12'	3.66 x 3.66	144"	3.66	72"	1.83	101 7/8"	2.59	203 5/8"	5.17	161"	4.09	10' 2"	3.10	126	11.70
13' x 13'	3.96 x 3.96	156"	3.96	78"	1.98	110 3/8"	2.80	220 5/8"	5.60	174 3/8"	4.43	10' 5"	3.18	148	13.75
14' x 14'	4.27 x 4.27	168"	4.27	84"	2.13	118 7/8"	3.01	237 5/8"	6.04	187 7/8"	4.77	10' 8"	3.25	171.5	15.93



R.B.Q. 8234-4698-42



Easy to get there!



**EXITS - On Hwy 20**  
Des Sources : #53 North  
St-John : #50 North  
St-Charles : #48 North

**EXITS - On Hwy 40**  
Des Sources : #55 North  
St-John : #52 North  
St-Charles : #50 North



**CABANON  
FORTIN**

344 Cherrier  
Île Bizard (Qc)  
H9C 3A1

**(514) CABANON**  
(514) 222-2666  
info@cabanonfortin.com

## Opening Hours

March 1<sup>st</sup>  
to November 14

November 15  
to February 28

	March 1 <sup>st</sup> to November 14	November 15 to February 28
<b>Monday</b>	9:00 am to 5:00 pm	By appointment
<b>Tuesday</b>	9:00 am to 5:00 pm	By appointment
<b>Wednesday</b>	9:00 am to 5:00 pm	By appointment
<b>Thursday</b>	9:00 am to 5:00 pm	By appointment
<b>Friday</b>	9:00 am to 5:00 pm	By appointment
<b>Saturday</b>	10:00 am to 4:00 pm	CLOSED
<b>Sunday</b>	CLOSED	CLOSED

[www.cabanonfortin.com](http://www.cabanonfortin.com)